

Modular Digital Over & Under Voltage Protector



Application

TDP Modular Digital Over & Under Voltage Protector is self-healing phase failure & phase sequence protective relay and it's a newly developed household electrical equipment protector.

The protector can quickly disconnect the power supply to protect the appliances when there is power interruption or the voltage exceeds or falls below the predetermined value.

When the power supply recovers, the protector automatically connects the power after 1-2 minutes' delay.

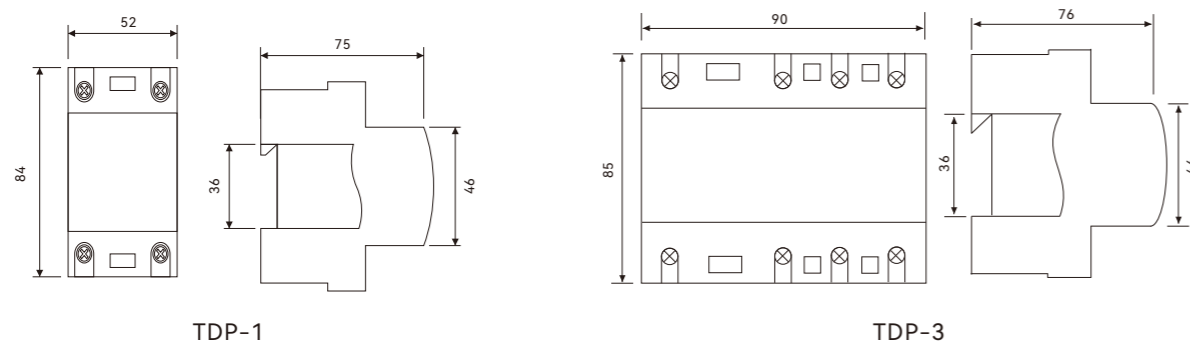
All the protective actions are automatically controlled. Indicators on the panel display the working condition of the protector.

This product is convenient in use, reliable in quality and excellent in performance.

Specification

Model	TDP-1						TDP-3				
Number of Poles	1P						3P				
Rated Voltage	220VAC						380VAC				
Rated Current	20A	32A	40A	50A	63A	80A	32A	40A	50A	63A	80A
Loading Power (KVA)	4.4	6.6	8.8	11	13	17	20	25	30	40	52
Over-Voltage Cut-Off Value (VAC)	230-270 adjustable (400V short time)						390-450 adjustable				
Time Delay	0.01s						0.01s				
Under-Voltage Cut-Off Value	120-210VAC adjustable						210-360VAC adjustable				
Time Delay	0.1s						0.1s				
Recovery Setting Time Range	10-600s						10-600s				
Self Power Consumption	≤3W						≤3W				
Ambient Temperature	-20°C~+40°C										

Dimensions



Modular Digital Voltage & Current Protector



Application

TDP2 Voltage Protector, a new generation of home appliance protectors, is suitable for houses, hotels, buildings, school dormitories, etc, to protect the electrical safety of appliances and other loads, to prevent damage to the load caused by too high or too low mains power.

Specification

Model	TDP2-1	TDP2-3	
Rated Supply Voltage	AC 220V		
Operation Voltage Range	AC 80V~400V(single phase)	AC 80~400V(three phase)	AC140~700V(three phase)
Electric Current(> A)setting Range	1~40/63A	1~40A/63A/80A/100A	1~40A/63A/80A/100A
Overvoltage(>U)setting Range	230~300V		390~500v
Undervoltage(<U)setting Range	210~140V		370~260V
Rated Current	40/63A	40A/63A/80A/100A	40A/63A/80A/100A
>U and <U Trip Delay	0.1~30s		
Reset/start Delay	1~600s	1~500s	
Voltage Measurement Accuracy	2% (Not exceeding 2% of the overall range)		
Rated Insulation Voltage	400V		700V
Output Contact	1NO	3NO	
Protection Degree	IP 20		
Pollution Degree	3		
Altitude	≤2000m		
Operatintg Temperature	- 50°C~55°C		
Humidity	≤50% at 40°C(without condensation)		
Storage Temperature	- 30°C~70°C		

Dimensions

